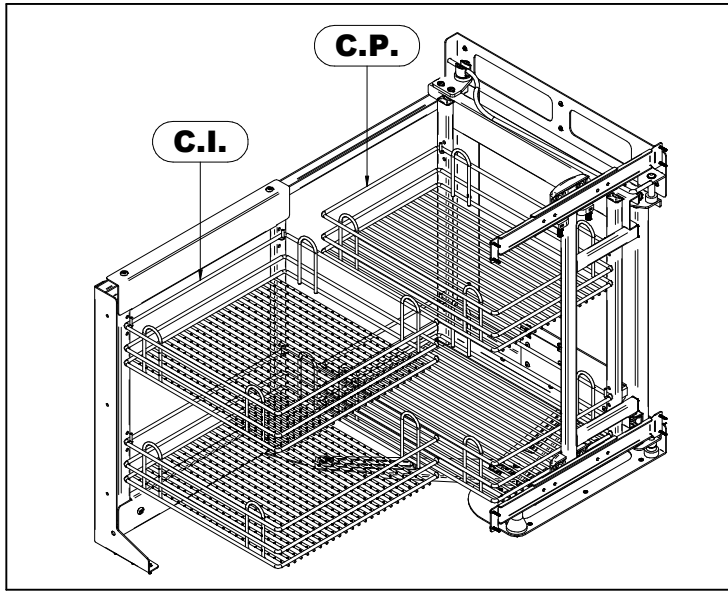


VIBO
Wire processing

Istruzioni di montaggio
Assembling instructions
Notice de montage
Montageanleitung
Manual de montaje

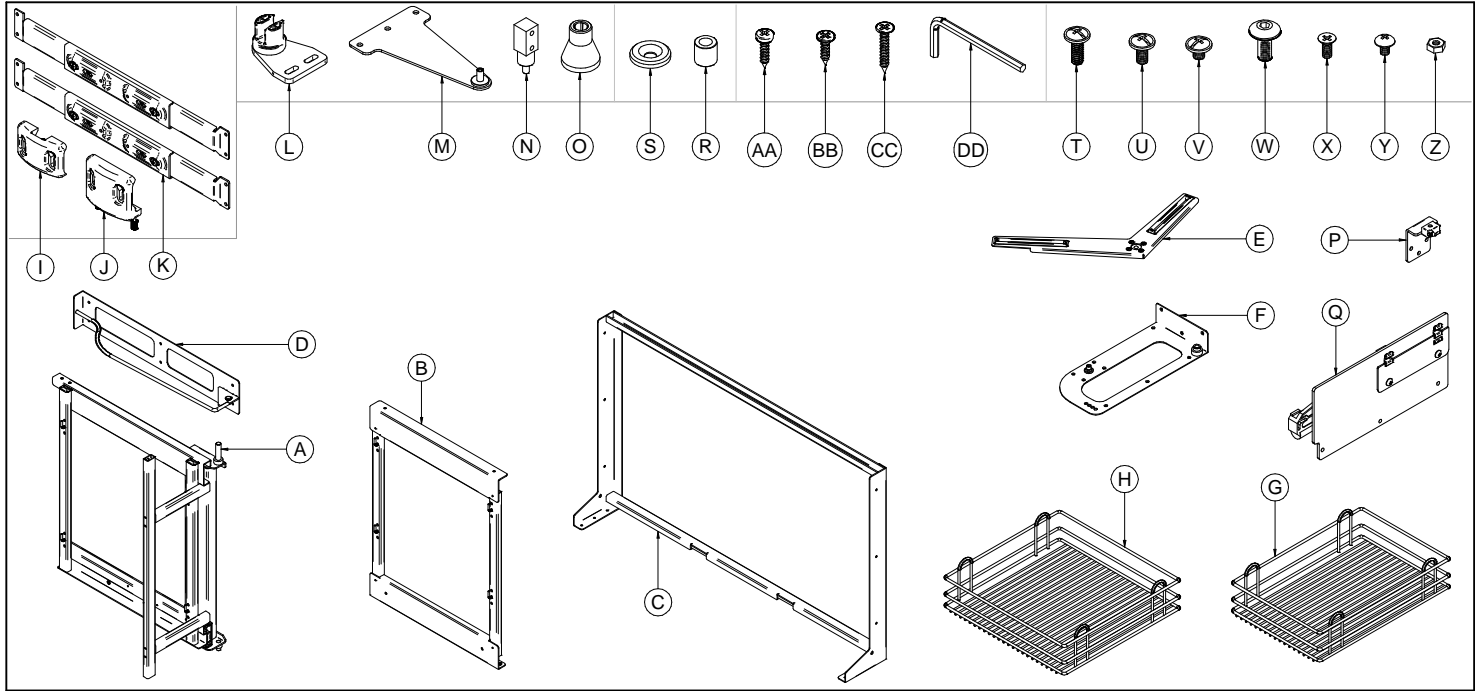
Portata massima:
Maximum load:
Charge maxi:
Maximale belastbarkeit:
Carga maxima:

C.P.(5x2)=
10 Kg
C.I.(10x2)=
20 Kg

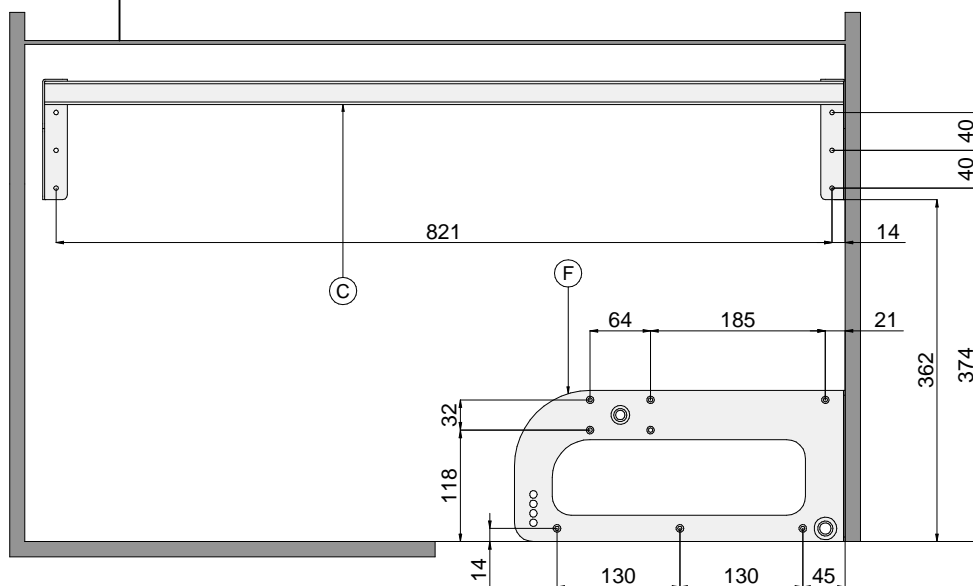
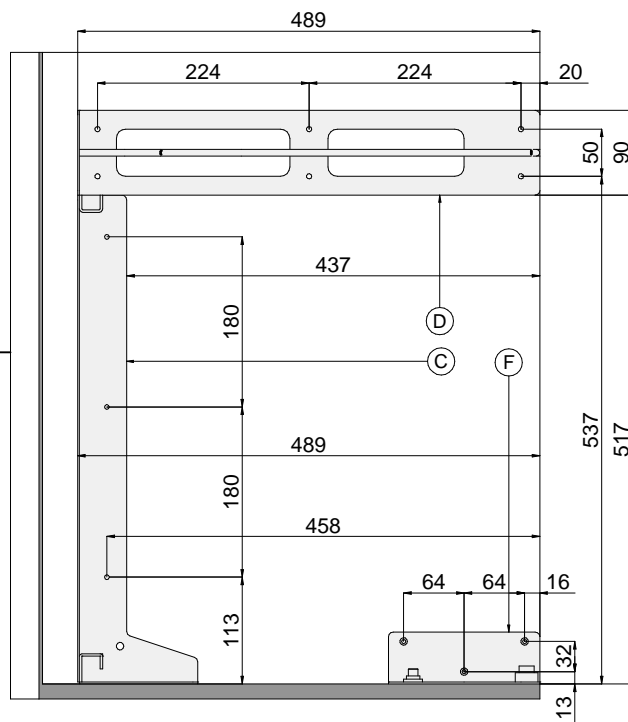
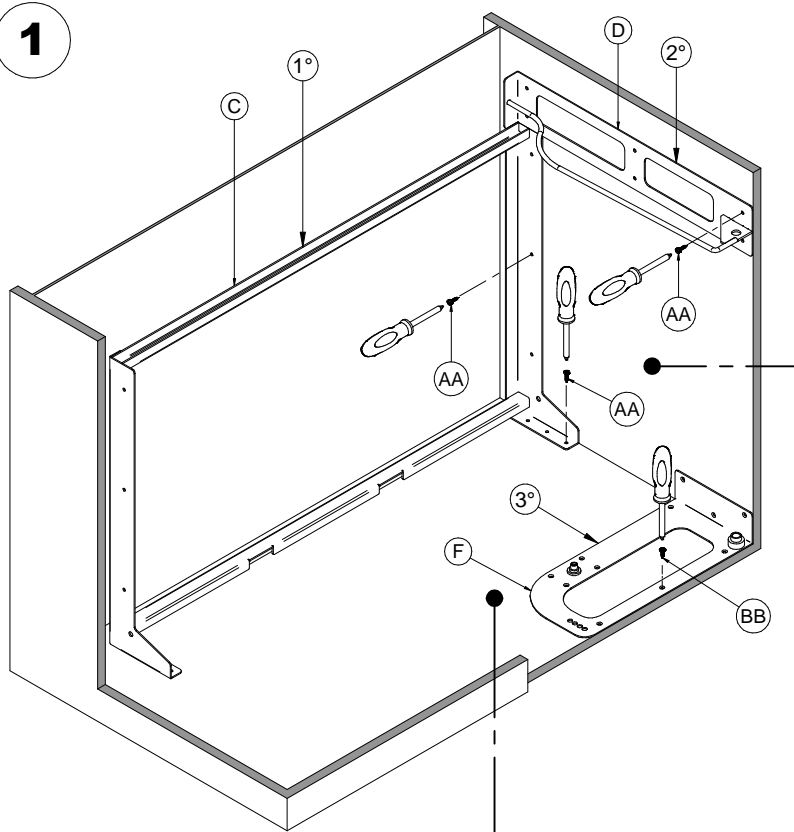
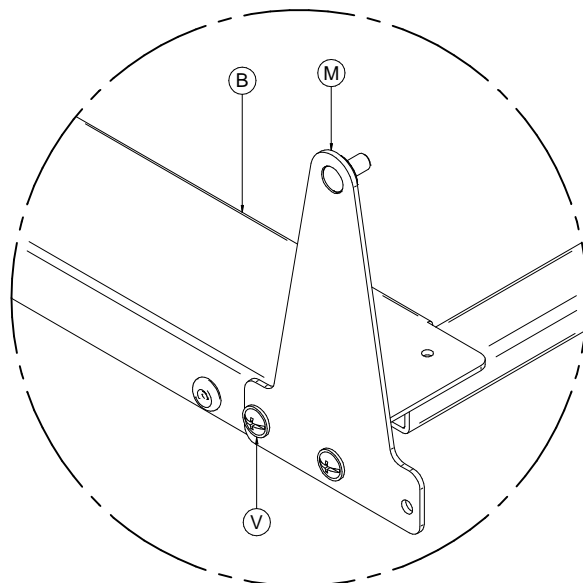
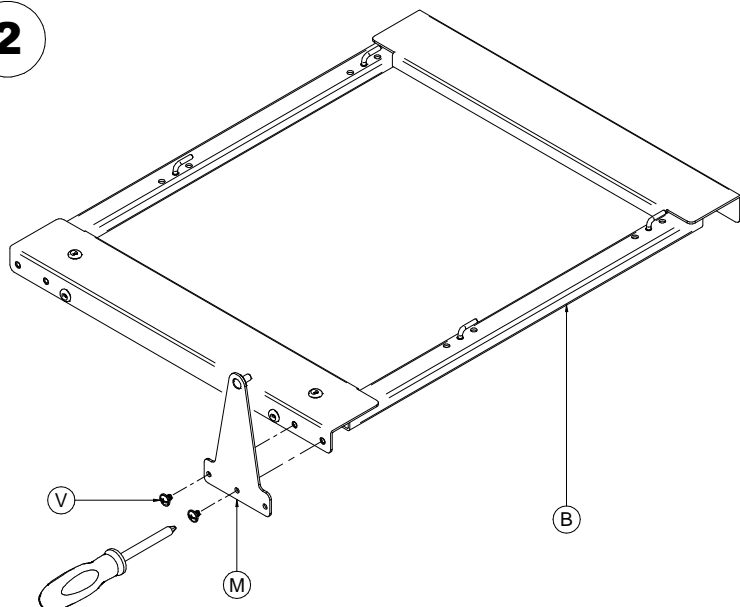


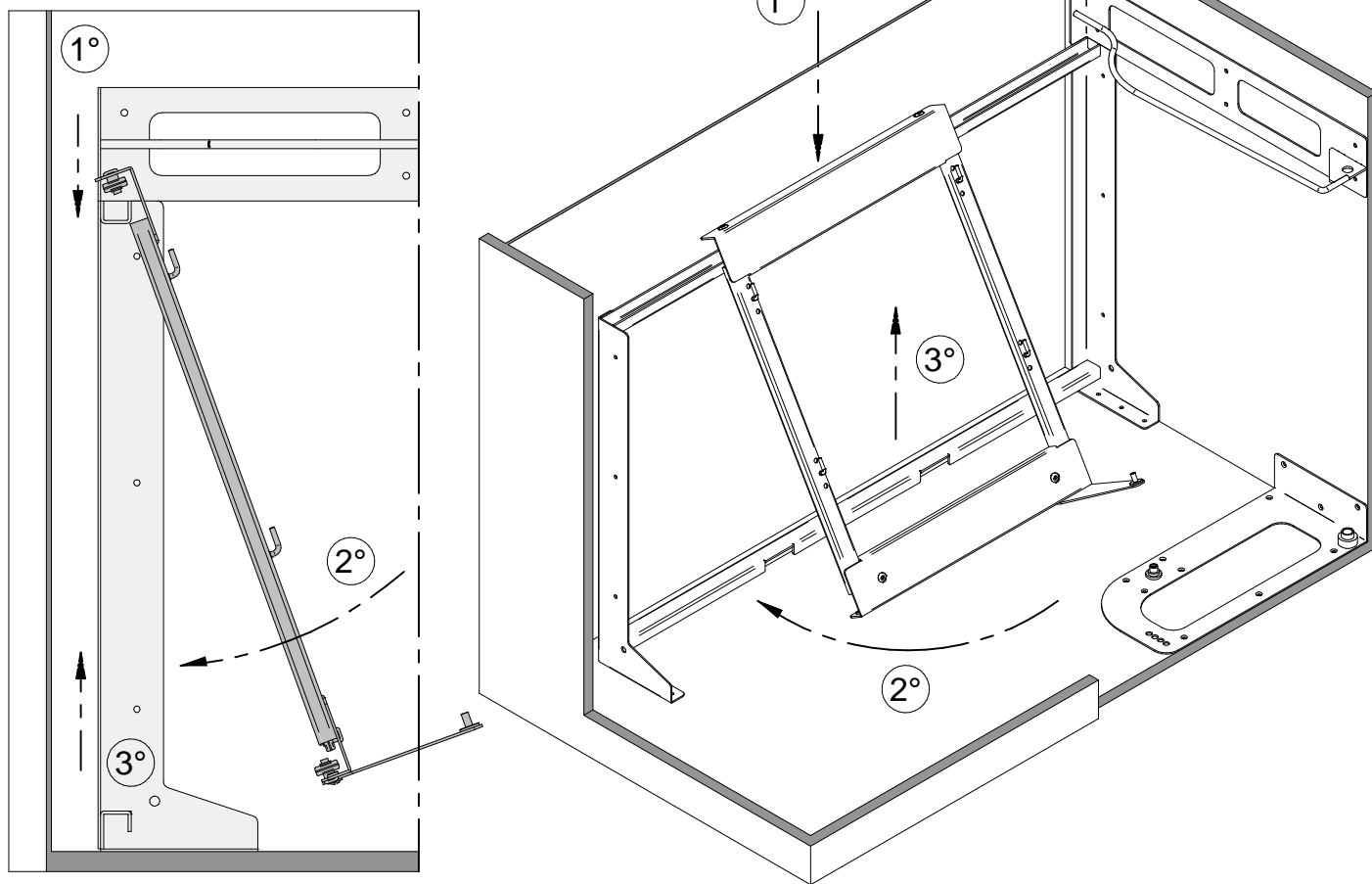
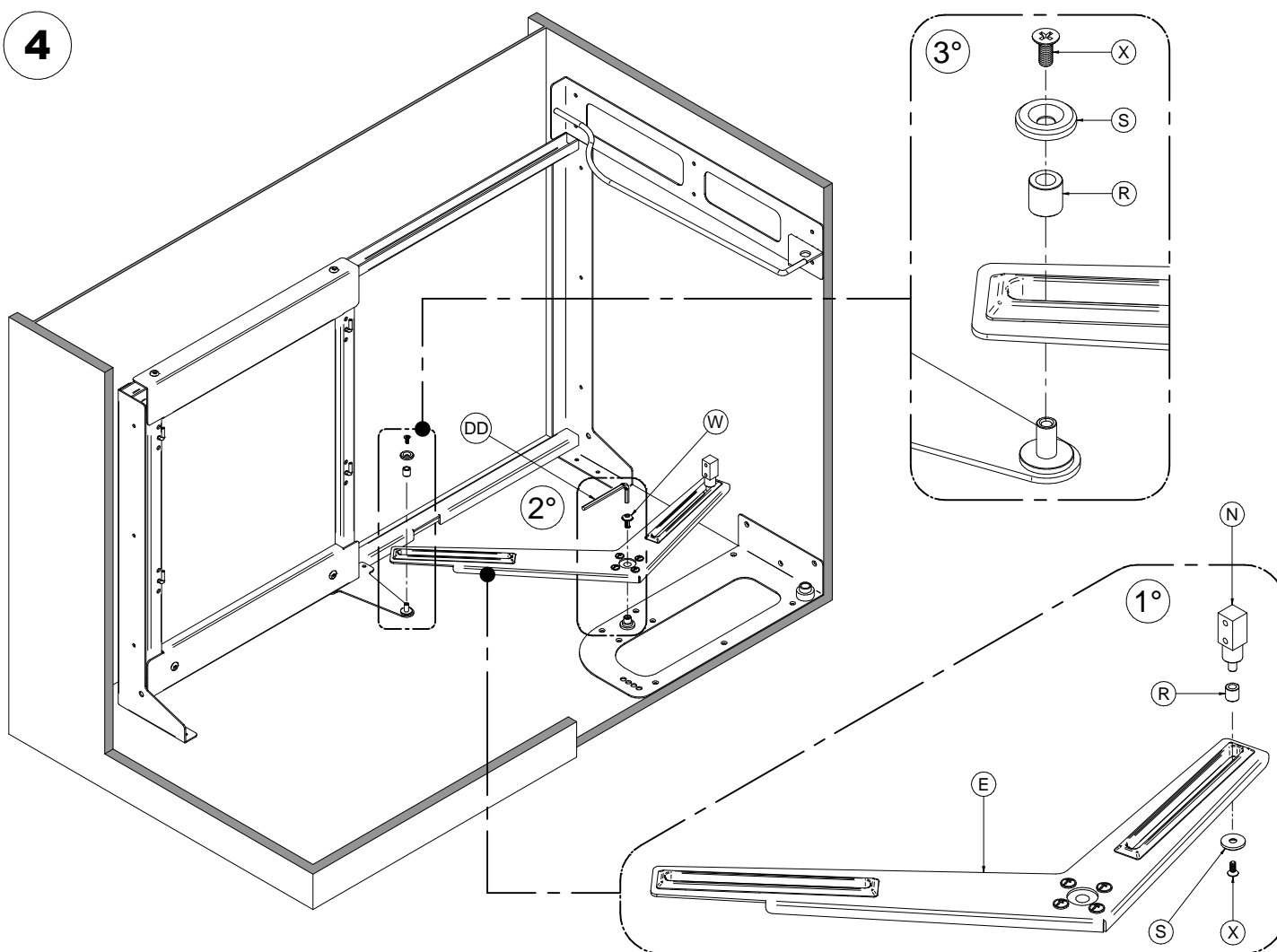
SMACPDX45F..
SMACPSX45F..
SCACPDX45HD..
SCACPSX45HD..

 40 min.	 1		
-------------	-------	--	--

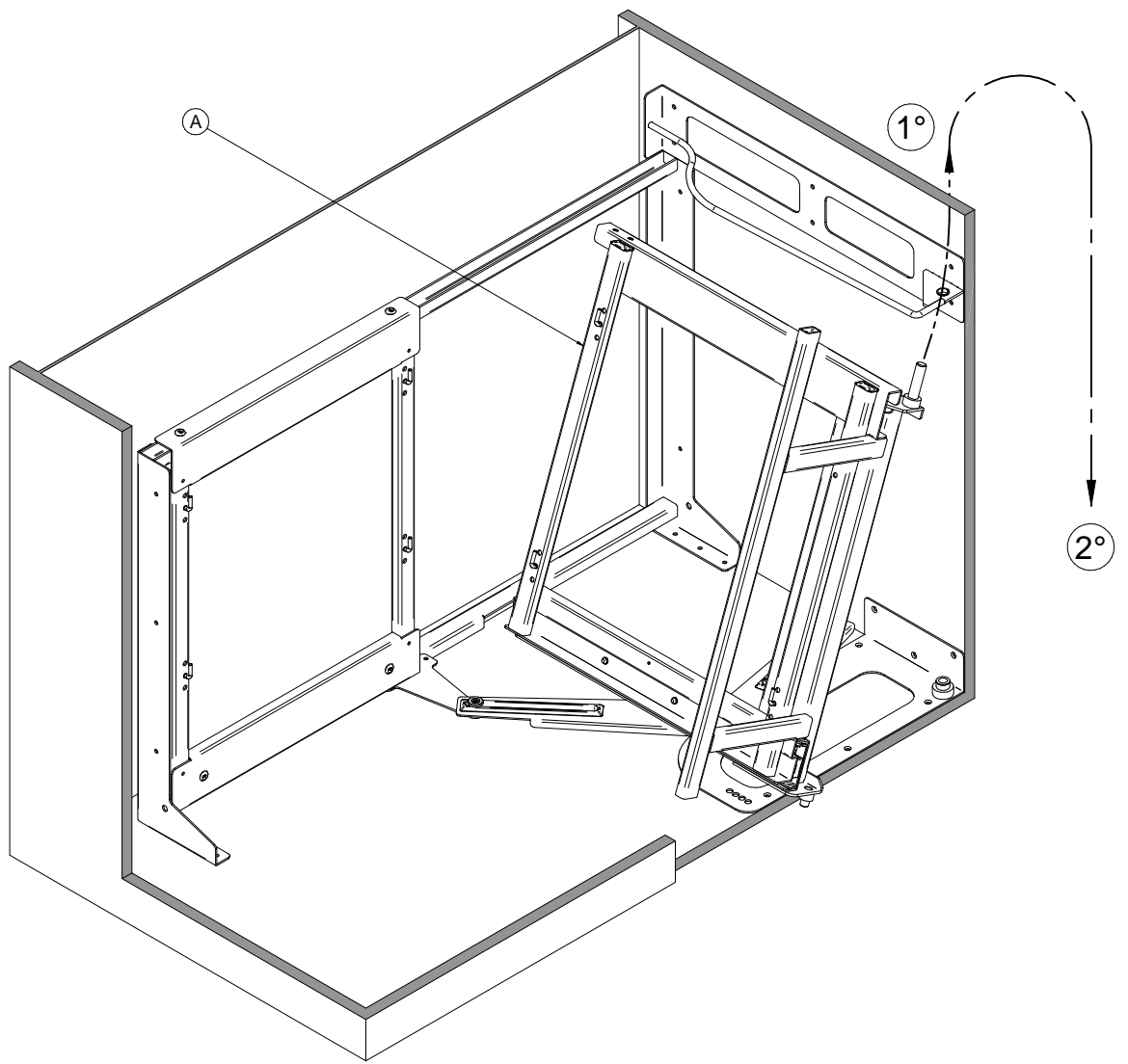


 A x 1	 B x 1	 C x 1	 D x 1	 E x 1	 F x 1	 G x 2	 H x 2	 I x 1	 J x 1	 K x 2
 L x 1	 M x 1	 N x 1	 O x 1	 P x 1	 Q x 1	 R x 2	 S x 2	 T x 4	 U x 2	 V x 2
 W x 1	 X x 2	 Y x 3	 Z x 5	 AA x 23	 BB x 11	 CC x 1	 DD x 1			

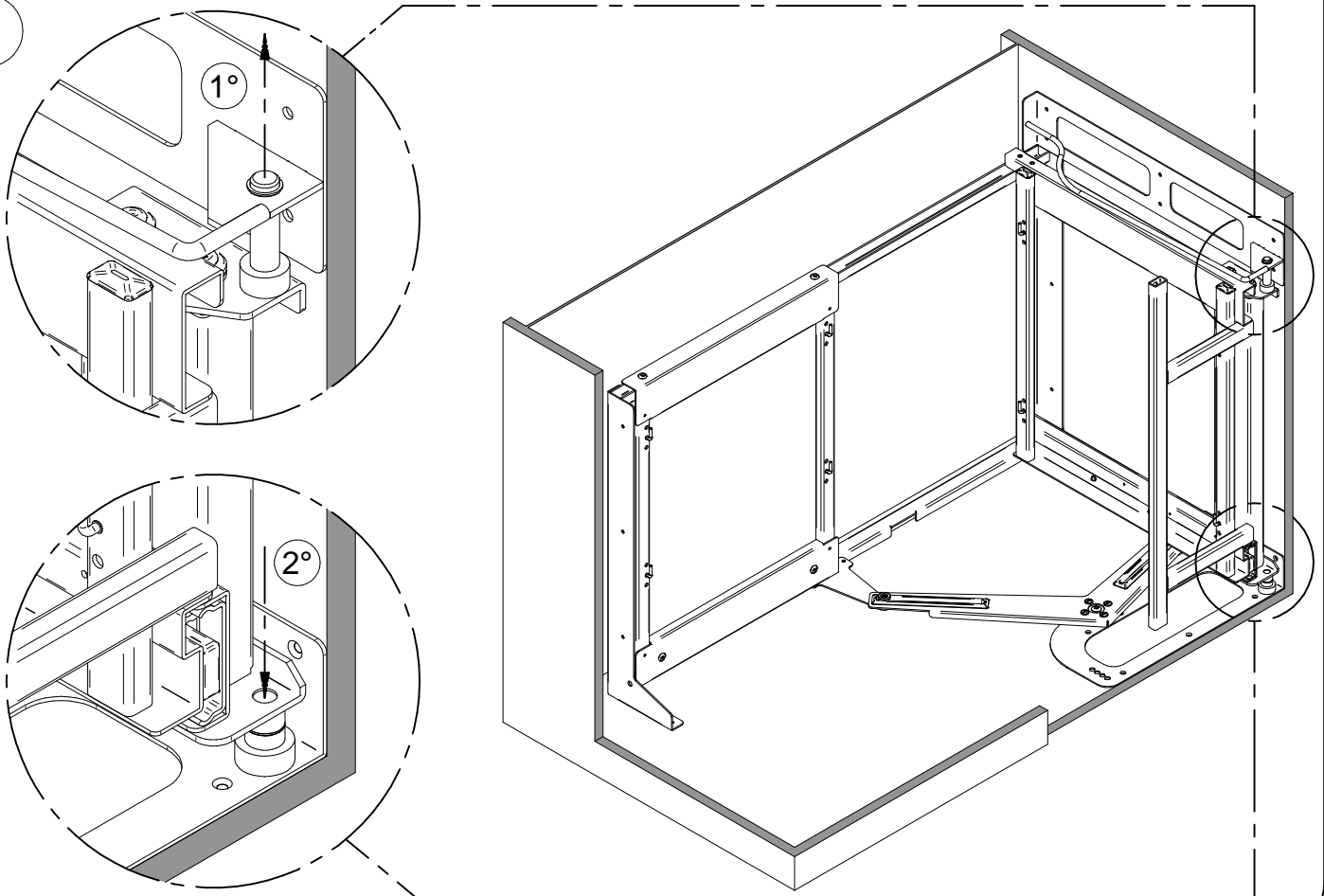
1**2**

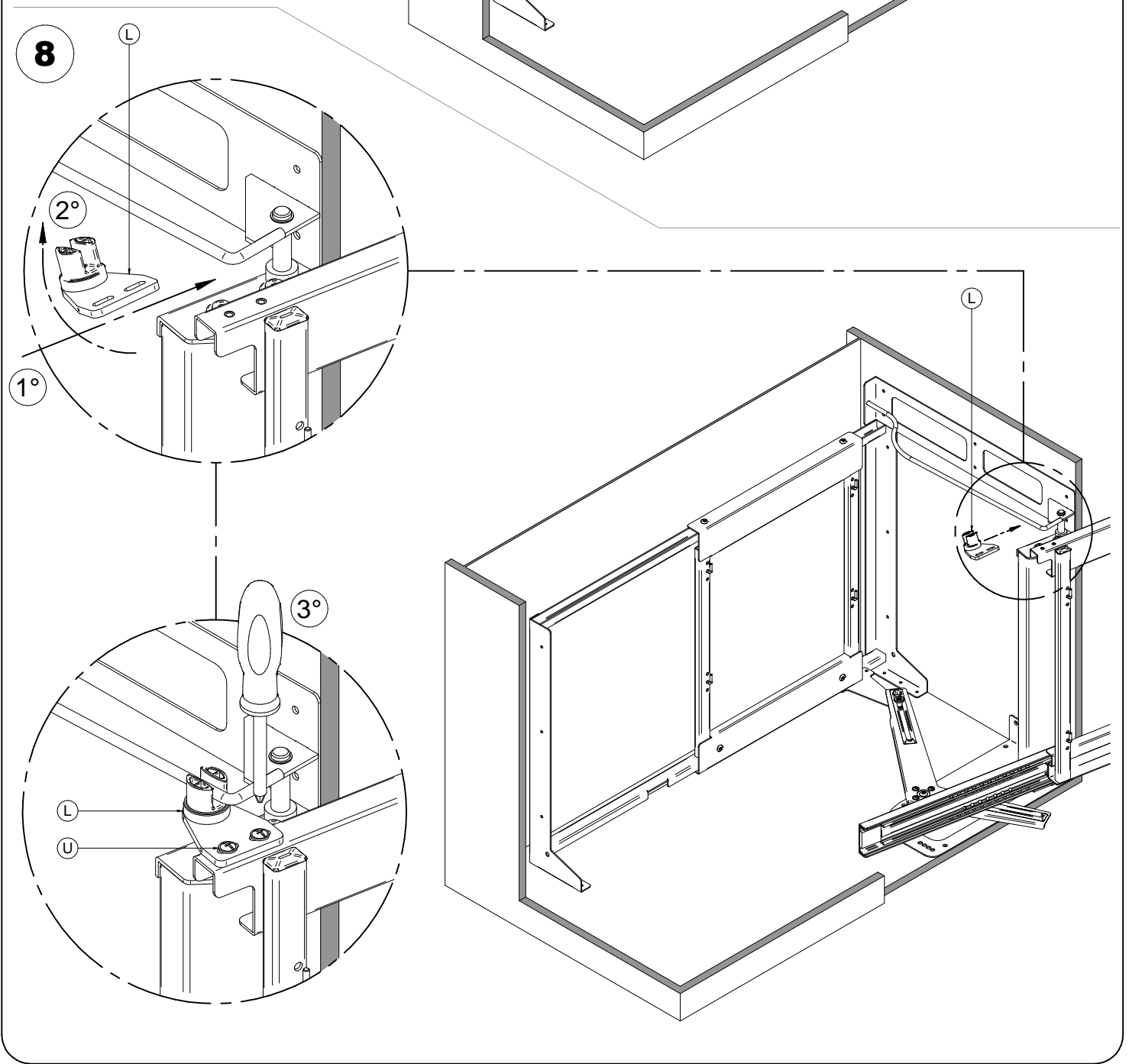
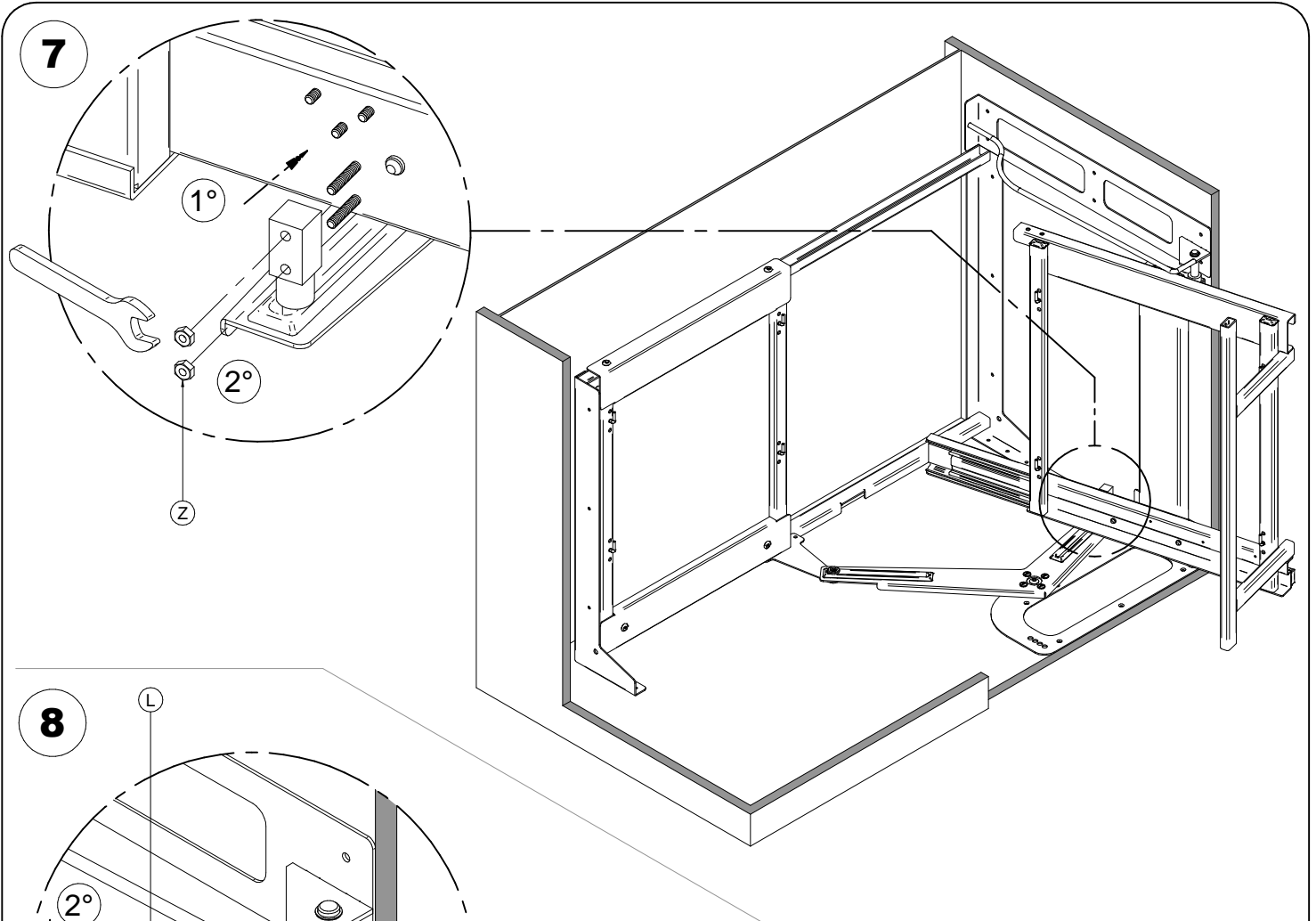
3**4**

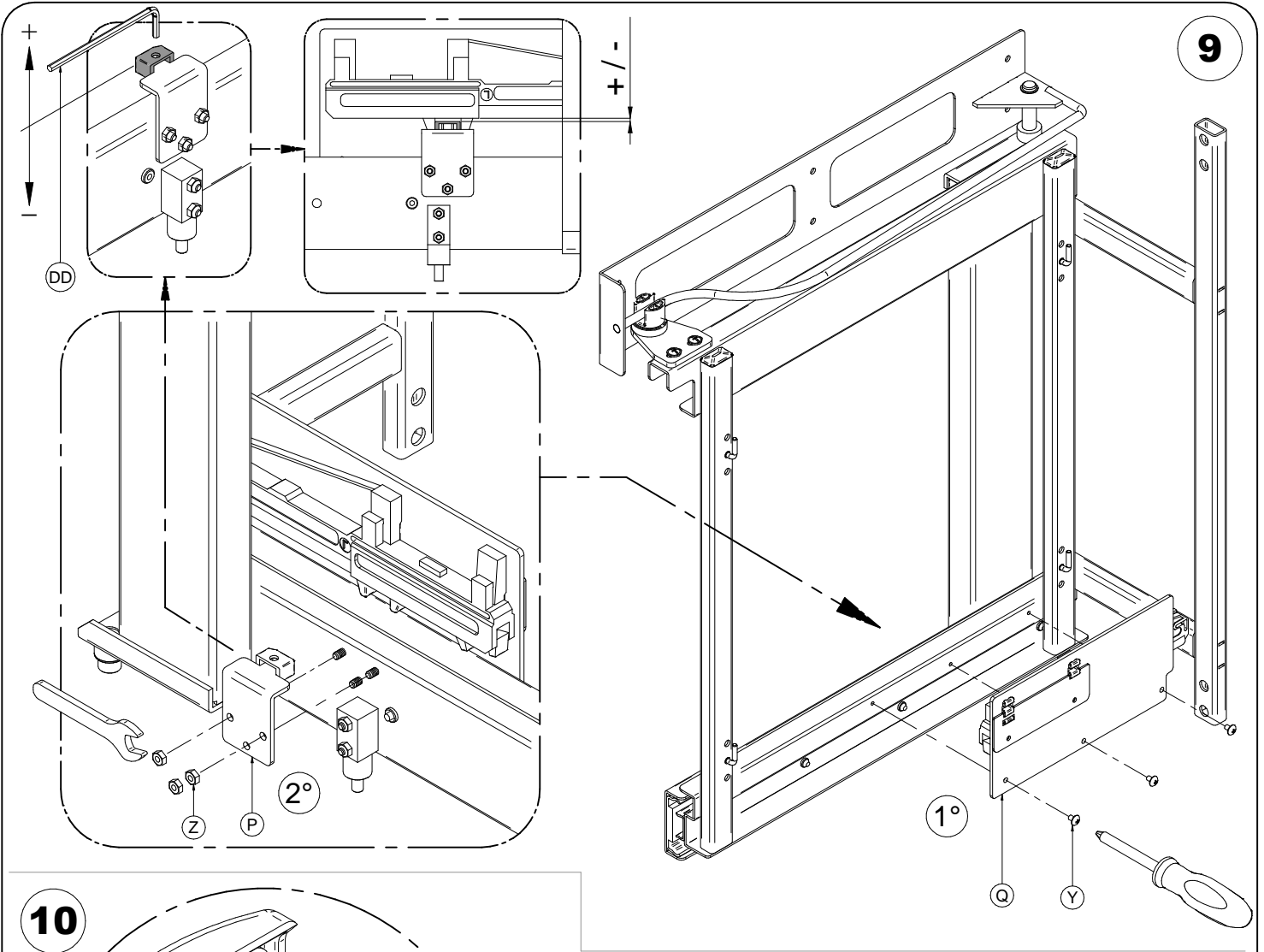
5



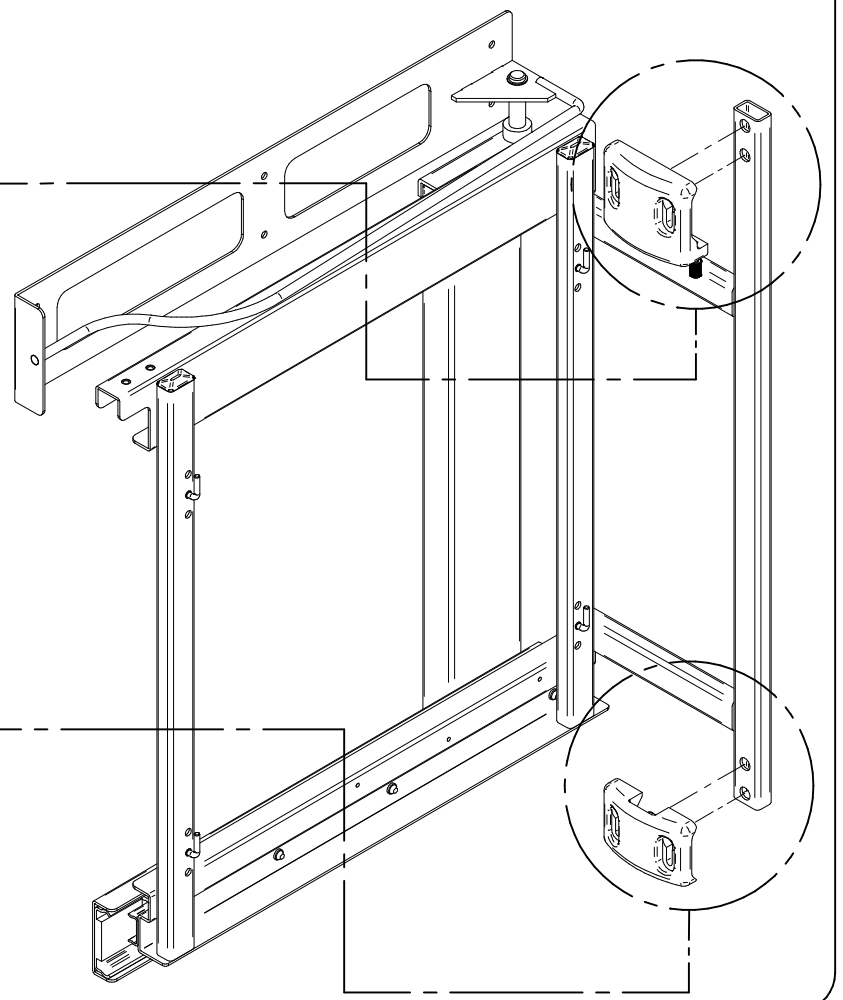
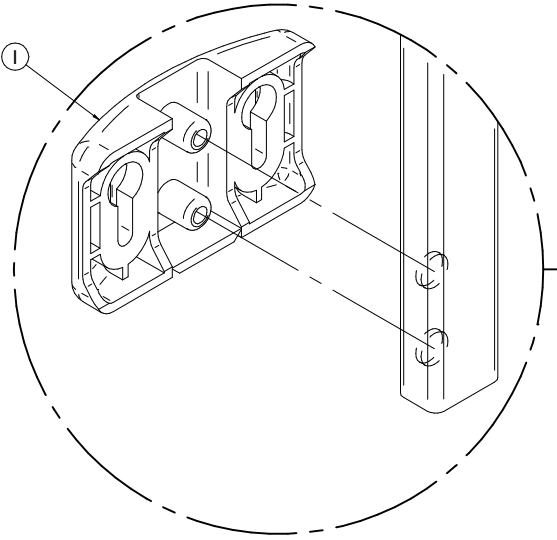
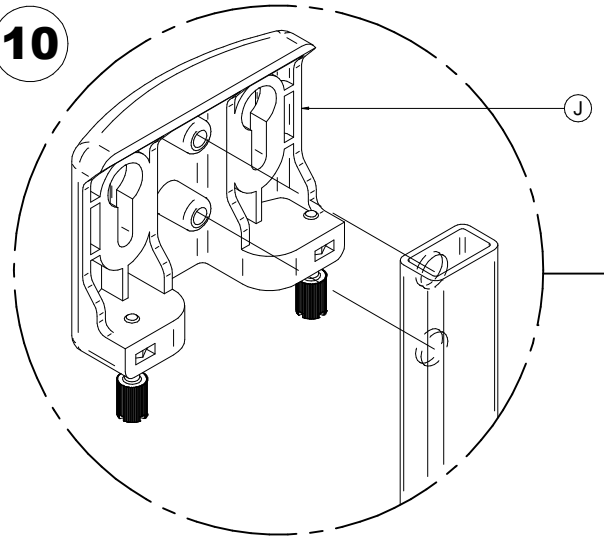
6

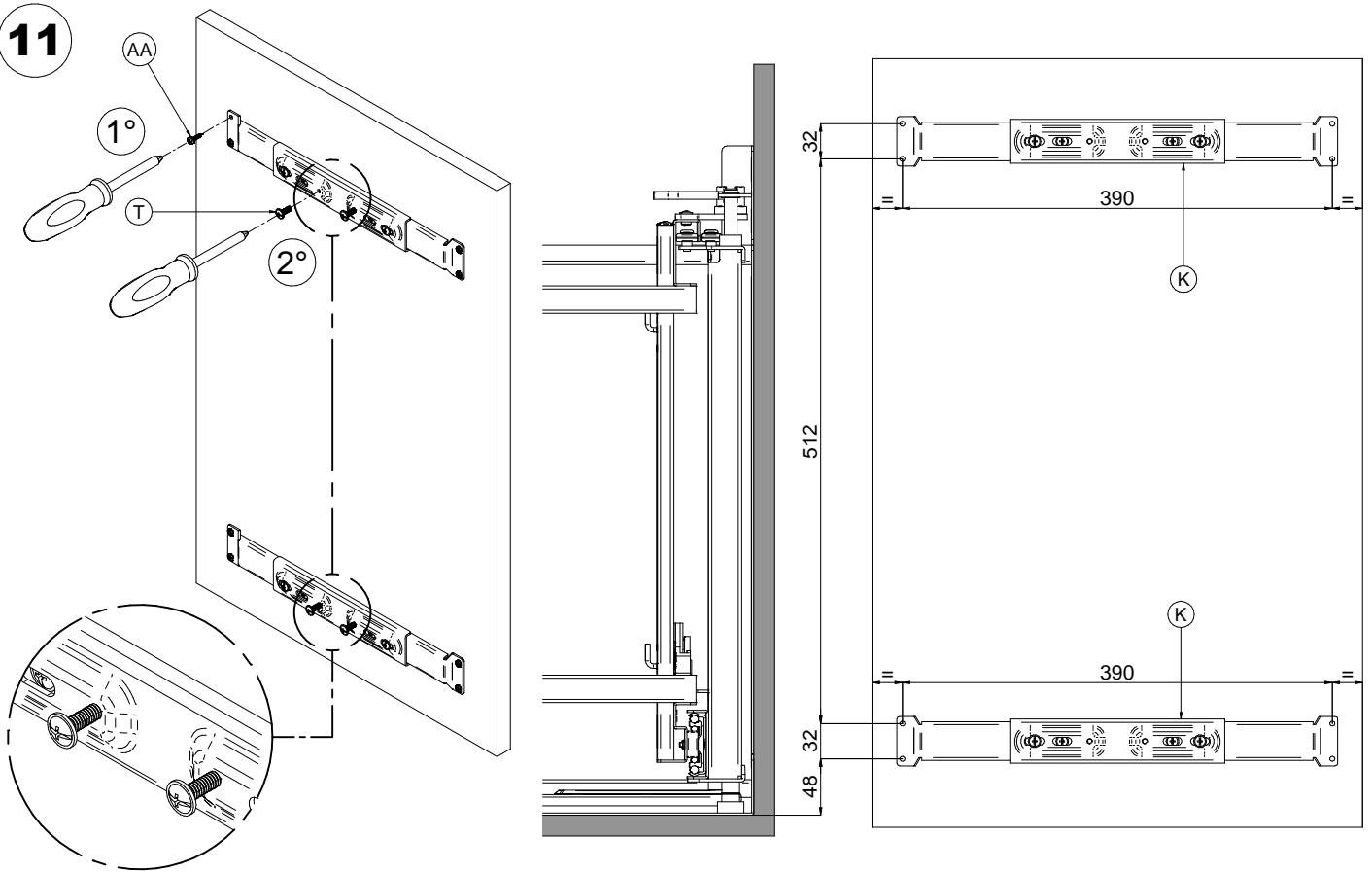
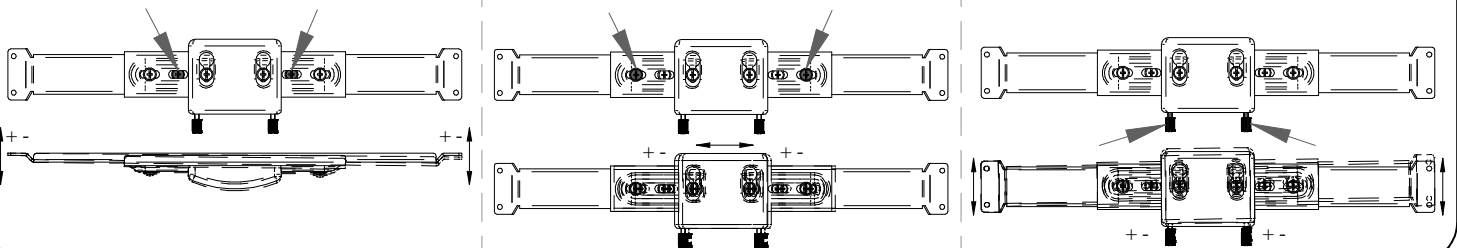
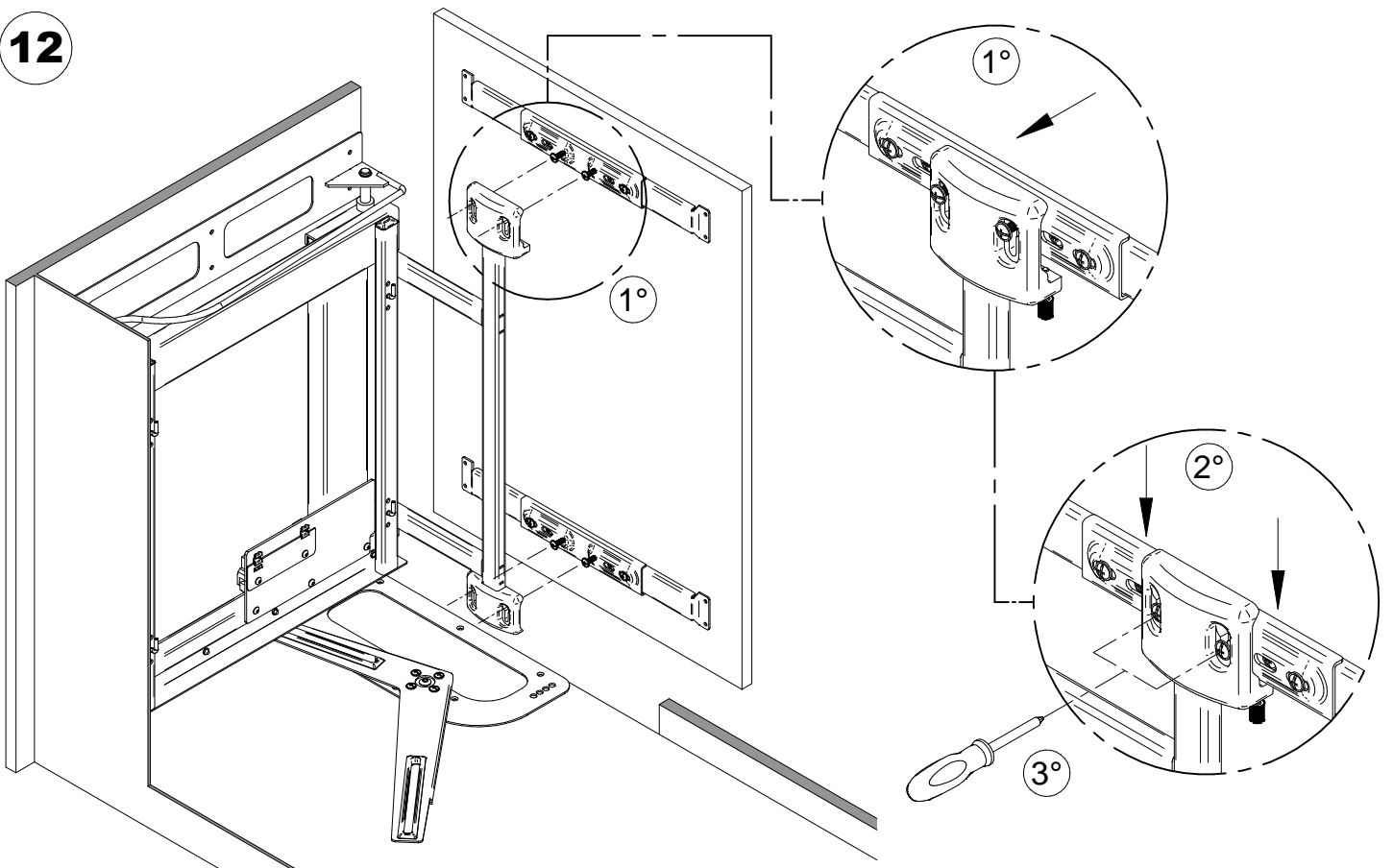


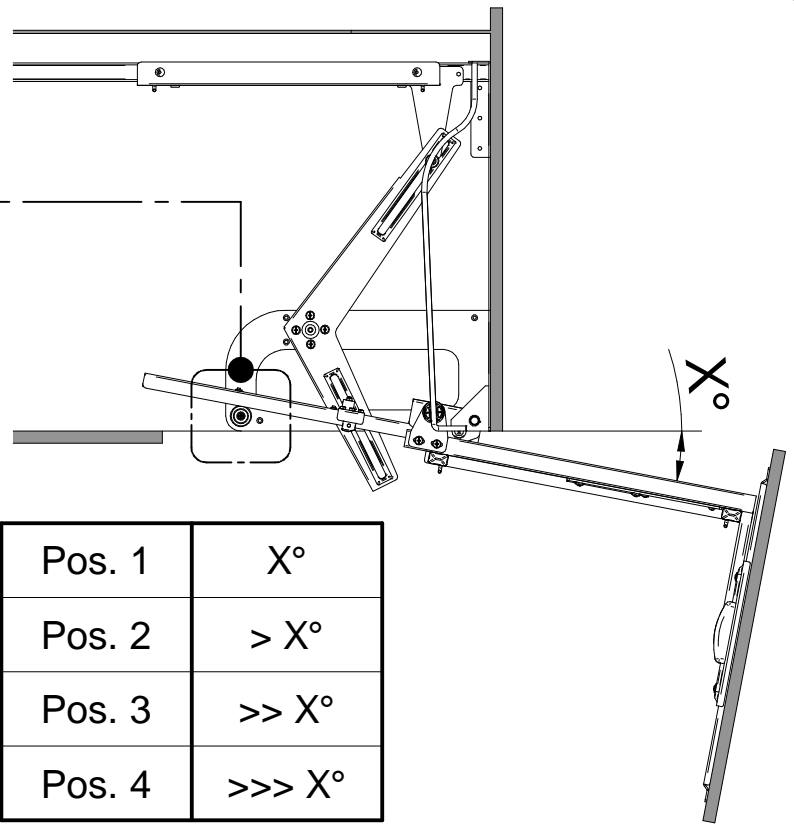
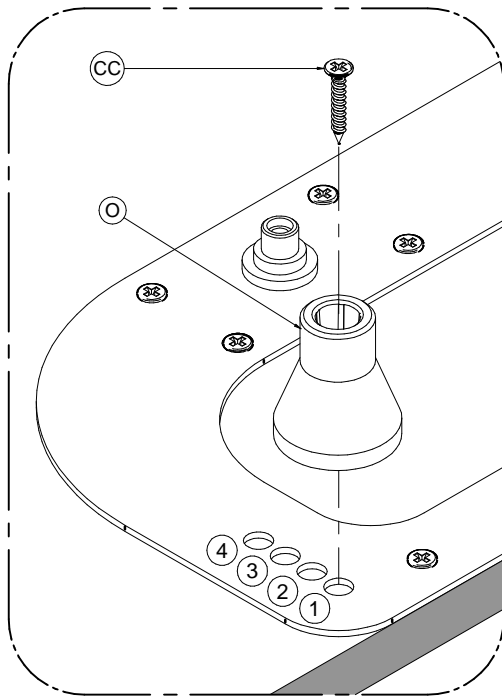




10



11**12**

13

Pos. 1	X°
Pos. 2	$> X^\circ$
Pos. 3	$>> X^\circ$
Pos. 4	$>>> X^\circ$

14