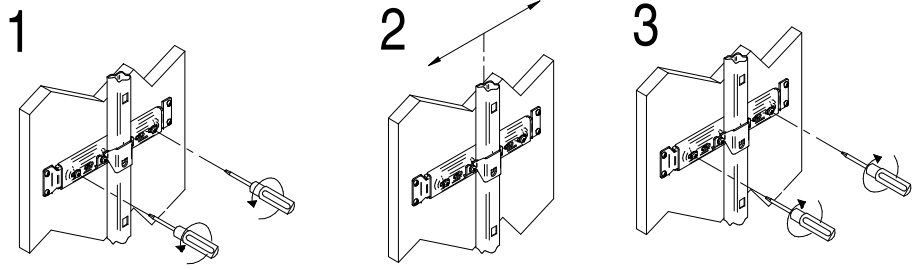
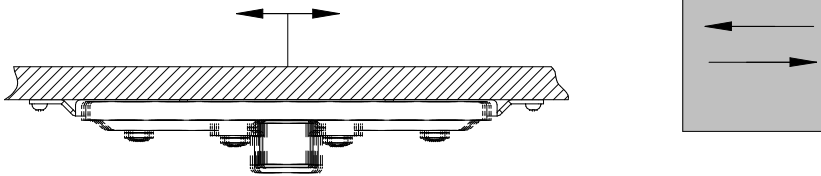
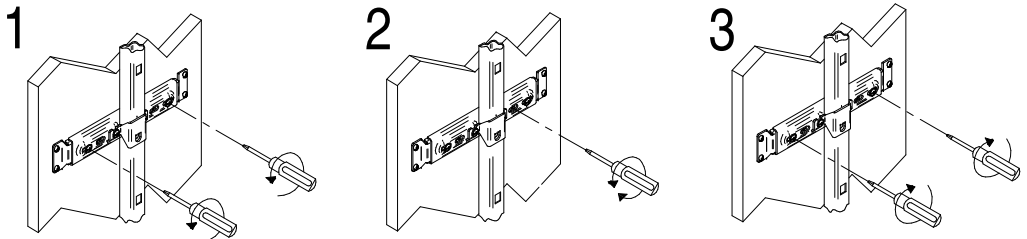
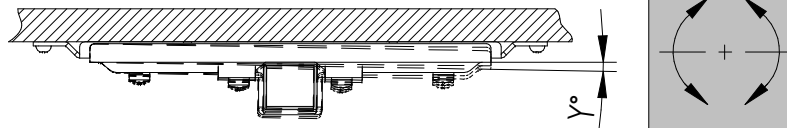




**Montaggio colonna**  
 Assembling Pull-Out column  
 Montage de la colonne  
 Montaje del elemento columna  
 Montering av kolumn  
 Montage des Rahmen  
 Montering af søjle



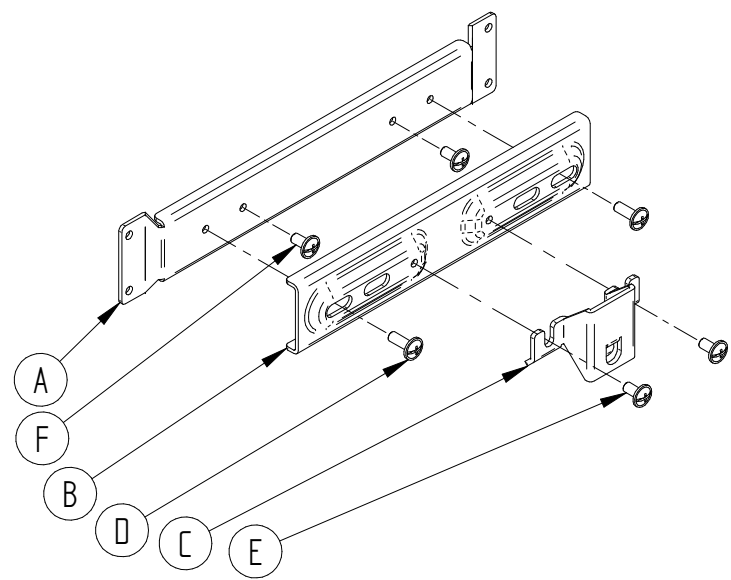
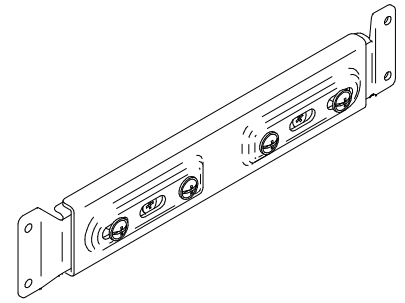
**VIBO**  
 Wire processing

Portata massima:  
 Maximum load:  
 Charge maxi:  
 Maximale belastbarkeit:  
 Carga maxima:

**Istruzioni di montaggio**  
 Assembling instructions  
 Notice de montage  
 Montageanleitung  
 Manual de montaje

**CK130/140/145/150/160N**

10 min	1		



**PRIMA DI COMINCIARE, VEDERE I CONSIGLI DI MONTAGGIO**

BEFORE STARTING, REFER TO THE ASSEMBLING ADVICE IN ANNEX

AVANT DE COMMENCER, SE REPORTER AUX CONSEILS DE MONTAGE EN ANNEXE

VOR DIE MONTAGE, BITTE BEILIEGENDE ANWEISUNGEN FOLGEN

ANTES DE EMPEZAR CONSULTE LOS CONSEJOS PARA EL MONTAJE

A x 1	B x 1	C x 1	D x 2	E x 4	

